

PLEASE CHECK WWW.MOLEX.COM FOR LATEST PART INFORMATION

Part Number: [0393720005](#)
Status: **Active**
Description: 7.50mm (.295") Beau™ Eurostyle™ Vertical PCB Header, Closed Ends, 5 Circuits

Documents:

[3D Model](#) [RoHS Certificate of Compliance \(PDF\)](#)
[Drawing \(PDF\)](#)

Agency Certification

UL E48521

General

Product Family	Terminal Blocks
Series	39372
Application	Wire-to-Board
Component Type	PCB Header
Product Literature Order No	USA-261
Product Name	Eurostyle™ Pluggable
Type	Euro Block

Physical

Circuits (Loaded)	5
Circuits (maximum)	5
Entry Angle	Vertical
Flammability	94V-0
Lock to Mating Part	None
Number of Rows	1
Orientation	Vertical
PC Tail Length (in)	0.138 In
PC Tail Length (mm)	3.50 mm
PCB Retention	None
Panel Mount	No
Pitch - Mating Interface (in)	0.295 In
Pitch - Mating Interface (mm)	7.50 mm
Pitch - Term. Interface (in)	0.295 In
Pitch - Term. Interface (mm)	7.50 mm
Polarized to Mating Part	Yes
Shrouded	Closed Ends
Stackable	No
Surface Mount Compatible (SMC)	No
Temperature Range - Operating	110°C
Wire Size AWG	N/A

Electrical

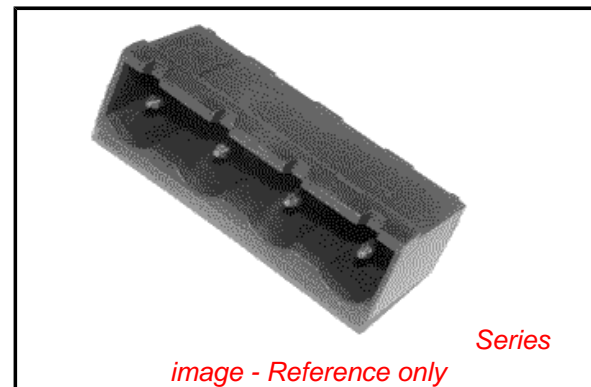
Current - Maximum per Contact	15A
Voltage - Maximum	300V

Material Info

Old Part Number	371605
-----------------	--------

Reference - Drawing Numbers

Sales Drawing	SD-39372-001
---------------	--------------



EU RoHS

**ELV and RoHS
Compliant**
REACH SVHC
 Not Reviewed
**Halogen-Free
Status**
 Not Reviewed

China RoHS



**Need more information on product
environmental compliance?**

Email productcompliance@molex.com
 For a multiple part number RoHS Certificate of
 Compliance, [click here](#)

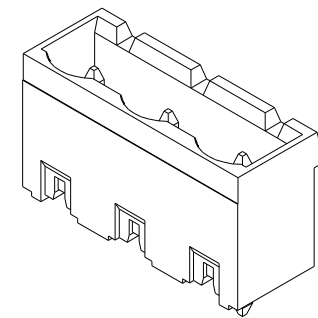
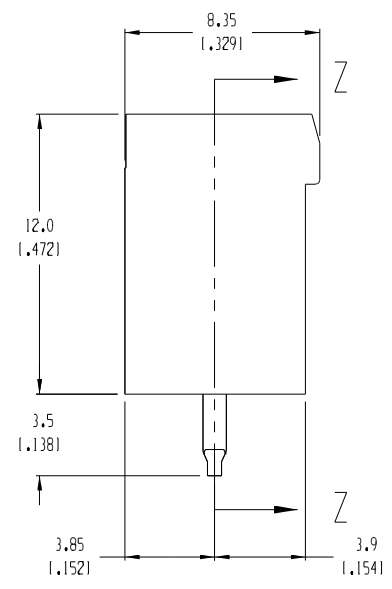
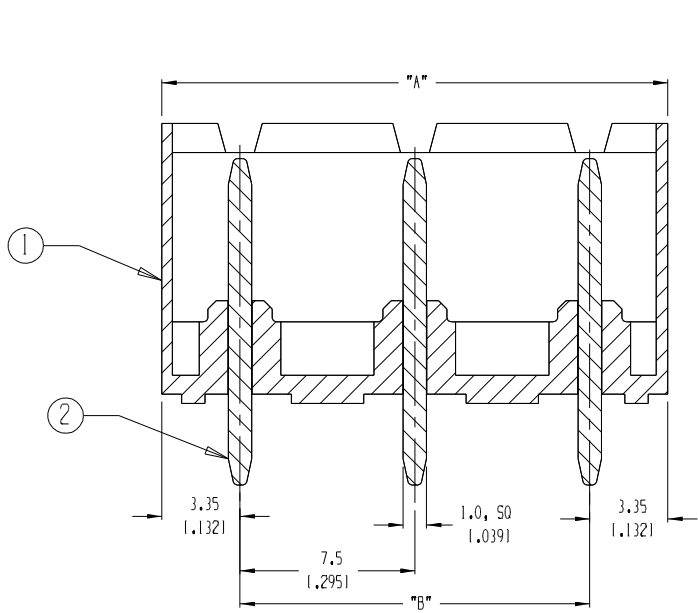
Please visit the [Contact Us](#) section for any
 non-product compliance questions.

Search Parts in this Series

[39372Series](#)

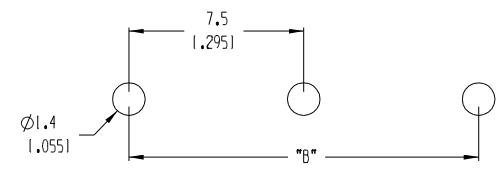
Mates With

39371 & 39374 Plugs



**AUX. VIEW
SCALE 3:1**

SECTION Z-Z



**PTH PATTERN
RECOMMENDED**

MATERIAL NUMBER	NUMBER OF CIRCUITS "XX"	A		B	
039372-0002	2	14.2	10.561	7.50	1.2951
039372-0003	3	21.7	10.851	15.00	1.5911
039372-0004	4	29.2	11.151	22.50	1.8861
039372-0005	5	36.7	11.441	30.00	1.1811
039372-0006	6	44.2	11.741	37.50	1.4761
039372-0007	7	51.7	12.041	45.00	1.7721
039372-0008	8	59.2	12.331	52.50	12.0671
039372-0009	9	66.7	12.631	60.00	12.3621
039372-0010	10	74.2	12.921	67.50	12.6571
039372-0011	11	81.7	13.221	75.00	12.9531
039372-0012	12	89.2	13.511	82.50	13.2481

NOTES:

1. MATERIAL: SEE TABLE
2. FINISHES: SEE TABLE
3. PRODUCT SPECIFICATION: NOT REQUIRED
4. PACKAGING: NOT REQUIRED
5. MATES WITH: 7.5MM PLUGS
6. "XX" - REFERS TO THE NUMBER OF CIRCUIT POSITIONS

ITEM	QTY.	DESCRIPTION	MATERIAL	FINISH
2	XX	PIN	PHOS. BRONZE	TIN-PLATED
1	1	HOUSING	POLYIMIDE	BLACK

EC NO. ECN# 3946 DRWN: CY 09-03-04 CH: K1 APPR:	QUALITY SYMBOLS MAJOR CRITICAL SPC S	GENERAL TOLERANCES: (UNLESS SPECIFIED)	SCALE 5:1 DESIGN UNITS <input type="checkbox"/> mm <input checked="" type="checkbox"/> INCH	DRAWN BY & DATE W HOWARD 07/18/03	THIRD ANGLE PROJECTION	PROJECT NO. - DIMENSIONS: <input checked="" type="checkbox"/> mm <input type="checkbox"/> INCH <input type="checkbox"/> mm ONLY	SHEET REV SHT - REV -
		4 PLACES ±.0015 3 PLACES ±.038 ±.005 2 PLACES ±.13 ±.01 1 PLACE ±.3	CHECKED BY & DATE R. KEMP 07/22/03	TITLE: 7.5MM STRAIGHT, HEADER, BLACK	APPROVED BY & DATE P. WALTZ 07/22/03	MATERIAL NO. SEE CHART	DRAWING NO. SD-39372-001
DRAFT WHERE APPLICABLE MUST REMAIN WITHIN DIMENSIONS		ANGULAR: ±2°		CAD FILENAME 3716XX	THIS DRAWING CONTAINS INFORMATION THAT IS PROPRIETARY TO MOLEX INCORPORATED AND SHOULD NOT BE USED WITHOUT WRITTEN PERMISSION.		

A

A

F

F

E

E

D

D

C

C

B

B

10

9

8

7

6

5

4

3

2

1